

DSCT34

Linearized 2- or 3-Wire RTD Input Transmitters



Description

Each DSCT34 RTD input transmitter provides a single channel of RTD input which is filtered, isolated, amplified, linearized, and converted to a process current output (Figure 1). Signal filtering is accomplished with a five-pole filter, which provides 85dB of normal-mode rejection at 60Hz and 80dB at 50Hz. An anti-aliasing pole is located on the field side of the isolation barrier, and the other four are on the process loop side. After the initial field-side filtering, the input signal is chopped by a proprietary chopper circuit. Isolation is provided by transformer coupling, again using a proprietary technique to suppress transmission of common mode spikes or surges.

RTD excitation is provided from the transmitter using a precision current source. The excitation currents are very small (0.26mA max for 100Ω Pt and 120Ω Ni) which minimizes self-heating of the RTD. Linearization is achieved by creating a non-linear transfer function through the module itself. This non-linear transfer function is configured at the factory and is designed to be equal and opposite to the specific RTD non-linearity. Lead compensation is achieved by matching two current paths thus canceling the effects of lead resistance.

The specifications listed are for a 3-wire connection. A 2-wire connection of the RTD to the module is also possible and is achieved by adding a jumper between pin 5 (+EXC) and pin 6 (+IN) on the terminal block and connecting the RTD leads between pin 6 (+IN) and pin 7 (-IN). The 2-wire connection nullifies the lead resistance compensation feature of the module.

Special input and output circuits on the DSCT34 transmitters provide protection against accidental connection of power-line voltages up to 240VAC and against transient events as defined by ANSI/IEEE C37.90.1. Signal and loop power lines are secured to the module using screw terminals, which are in pluggable terminal blocks for ease of system assembly and reconfiguration.

Features

- Interfaces to 100Ω Platinum or 120Ω Nickel RTDs
- Linearizes RTD Signal
- Process Current Output
- 1500Vrms Transformer Isolation
- ANSI/IEEE C37.90.1 Transient Protection
- Input and Output Protected to 240VAC Continuous
- Up to 60V Loop Voltage
- 160dB CMR
- 85dB NMR at 60Hz, 80dB at 50Hz
- ±0.1% Accuracy
- ±0.025% Conformity
- Easily Mounts on Standard DIN Rail
- CSA C/US Certified
- CE Compliant

The modules have excellent stability over time and do not require recalibration, however, zero and span settings are adjustable up to ±3% to accommodate situations where fine-tuning is desired. The adjustments are made using potentiometers located under the front panel label and are non-interactive for ease of use.

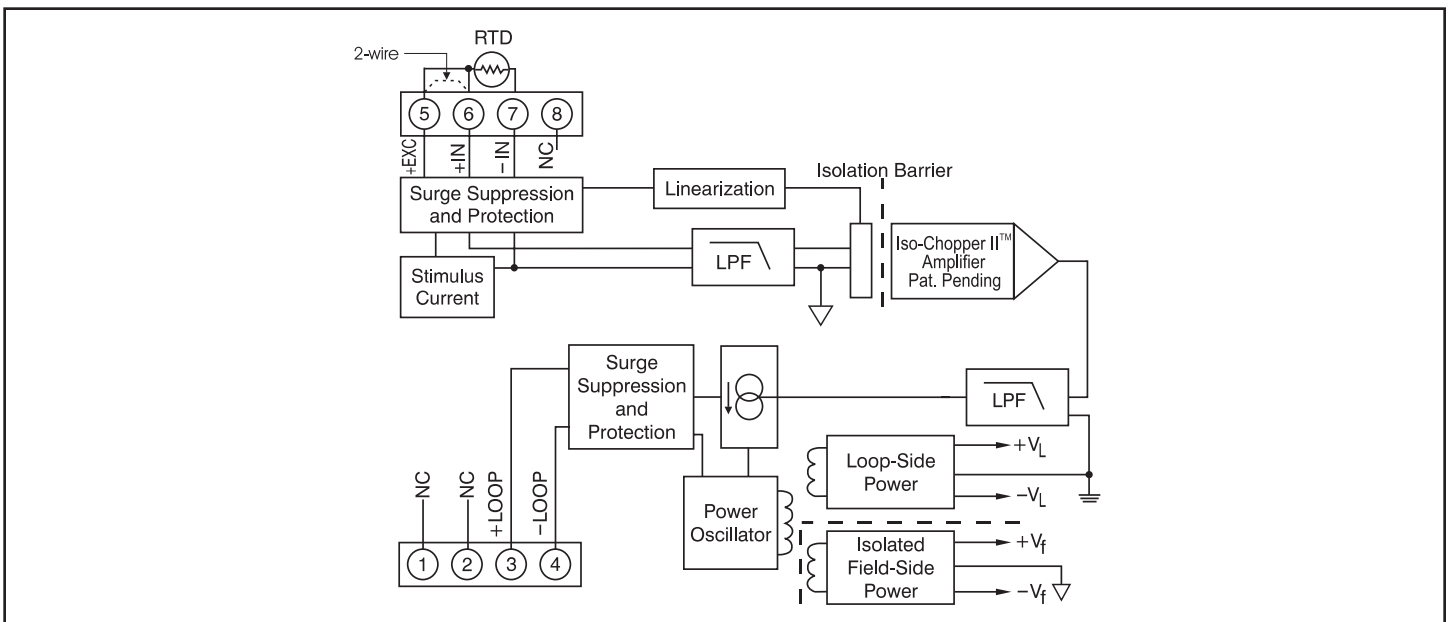


Figure 1: DSCT34 Block Diagram

Specifications Typical* at $T_A = +25^\circ\text{C}$ and +24VDC loop voltage

Module	DSCT34
Input Range	-200°C to +850°C (100Ω Pt) -80°C to +320°C (120Ω Ni)
Input Resistance	
Normal	50MΩ
Power Off	66kΩ
Overload	66kΩ
Input Protection	
Continuous	240Vrms max
Transient	ANSI/IEEE C37.90.1
CMV, Input to Output	
Continuous	1500Vrms max
Transient	ANSI/IEEE C37.90.1
CMR (50Hz or 60Hz)	160dB
NMR	85dB at 60Hz, 80dB at 50Hz
Adjustability	±3% Zero and Span
Accuracy	See Ordering Information
Conformity	±0.025%
Stability	
Offset	±50ppm/°C
Gain	±100ppm/°C
Sensor Excitation Current	0.260mA
Lead Resistance Effect	±0.02°C/Ω
Noise	
Output, 100kHz	3μArms
Bandwidth, -3dB	3Hz
Response Time, 90% Span	165ms
Output Range	4mA to 20mA
Output Limits	
Under-range	3mA
Over-range	29mA
Output Protection	
Reverse Polarity	Continuous
Over-voltage	240Vrms Continuous
Transient	ANSI/IEEE C37.90.1
Loop Supply Voltage	10.8V to 60V
Loop Supply Sensitivity	±0.0005%/V
Turn-On Delay	400ms
Mechanical Dimensions (h)(w)(d)	2.95" x 0.89" x 4.13" (75mm x 22.5mm x 105mm)
Mounting	DIN EN 50022 -35x7.5 or -35x15 rail
Environmental	
Operating Temperature	-40°C to +80°C
Storage Temperature	-40°C to +80°C
Relative Humidity	0 to 95% Noncondensing
Emissions, EN61000-6-4	ISM, Group 1
Radiated, Conducted	Class A
Immunity EN61000-6-2	ISM, Group 1
RF	Performance A ±0.5% Span Error
ESD, EFT	Performance B

NOTES:

*Contact factory or your local Dataforth sales office for maximum values.

(1) Includes conformity, hysteresis and repeatability.

Ordering Information

Model	Input Range	Accuracy ⁽¹⁾	
100Ω Pt **			
DSCT34-01	-100°C to +100°C (-148°F to +212°F)	±0.1%	±0.2°C
DSCT34-02	0°C to +100°C (+32°F to +212°F)	±0.1%	±0.1°C
DSCT34-03	0°C to +200°C (+32°F to +392°F)	±0.1%	±0.2°C
DSCT34-04	0°C to +600°C (+32°F to +1112°F)	±0.1%	±0.6°C
DSCT34-05	0°C to +400°C (+32°F to +752°F)	±0.1%	±0.4°C
120Ω Ni **			
DSCT34N-01	0°C to +300°C (+32°F to +572°F)	±0.1%	±0.3°C

****RTD Standards**

Type	Alpha Coefficient	DIN	JIS	IEC
100Ω Pt	0.00385	DIN 43760	JIS C 1604-1989	IEC 751
120Ω Ni	0.00672			