

8B40/41

Voltage Input Modules, 1kHz Bandwidth



Description

8B modules are an optimal solution for monitoring real-world process signals and providing high-level signals to a data acquisition system. Each 8B40 or 8B41 module isolates, filters, and amplifies a voltage input signal and provides an analog voltage output (Figure 1).

Signal filtering is accomplished with a 5-pole filter optimized for time and frequency response which provides 100dB per decade of normal-mode rejection above 1kHz. One pole of this filter is on the field side of the isolation barrier for anti-aliasing, and the other four are on the system side.

A special input circuit on the 8B40 and 8B41 modules provides protection against accidental connection of power-line voltages up to 240VAC. Clamp circuits on the I/O and power terminals protect against harmful transients.

Isolation is provided by transformer coupling to suppress transmission of common mode spikes or surges. The module is powered from +5VDC, ±5%.

The modules are designed for installation in Class I, Division 2 hazardous locations and have a high level of immunity to environmental noise.

Features

- Accepts Millivolt and Voltage Level Signals
- High-Level Voltage Outputs
- 1500Vrms Isolation
- ANSI/IEEE C37.90.1 Transient Protection
- Input Protection to 240VAC Continuous
- 100dB CMR
- 1kHz Signal Bandwidth
- ±0.05% Accuracy
- ±0.02% Linearity
- Low Drift with Ambient Temperature
- C-UL-US Listed
- CE Compliant
- ATEX Compliance Pending
- Mix and Match Module Types on Backpanel

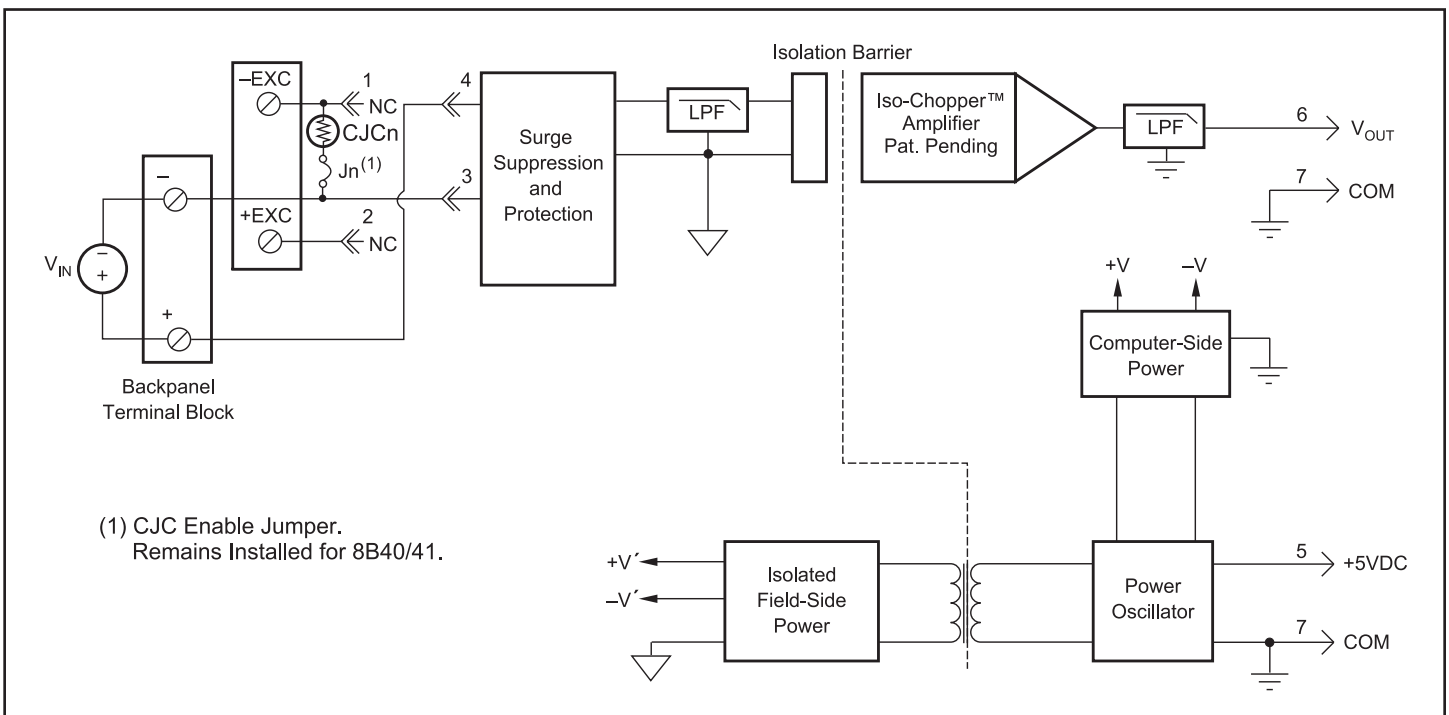


Figure 1: 8B40/41 Block Diagram

Specifications Typical* at T_A = +25°C and +5VDC power

Module	8B40	8B41
Input Range	±10mV to ±100mV	±1V to ±60V
Input Bias Current	±0.5nA	±0.05nA
Input Resistance		
Normal	50MΩ	500kΩ (minimum)
Power Off	100kΩ	500kΩ (minimum)
Overload	100kΩ	500kΩ (minimum)
Input Protection		
Continuous ⁽¹⁾	240VAC	240VAC
Transient	ANSI/IEEE C37.90.1	ANSI/IEEE C37.90.1
CMV, Input to Output	1500Vrms max	1500Vrms max
Transient, Input to Output	ANSI/IEEE C37.90.1	ANSI/IEEE C37.90.1
CMR (50Hz or 60Hz)	100dB	100dB
NMR (-3dB at 1kHz)	100dB per Decade above 1kHz	100dB per Decade above 1kHz
Accuracy ⁽²⁾	±0.05% Span	±0.05% Span
Linearity	±0.02% Span	±0.02% Span
Stability		
Offset	±10ppm/°C	±10ppm/°C
Gain	±50ppm/°C	±75ppm/°C
Noise		
Output, 100kHz	500μVrms	500μVrms
Bandwidth, -3dB	1kHz	1kHz
Response Time, 90% Span	550μs	550μs
Output Range	See Ordering Information	See Ordering Information
Output Protection	Continuous Short to Ground	Continuous Short to Ground
Transient	ANSI/IEEE C37.90.1	ANSI/IEEE C37.90.1
Power Supply Voltage	+5VDC ±5%	+5VDC ±5%
Power Supply Current	25mA	25mA
Power Supply Sensitivity	±75ppm/%	±75ppm/%
Mechanical Dimensions (h)(w)(d)	1.11" x 1.65" x 0.40" (28.1mm x 41.9mm x 10.2mm)	1.11" x 1.65" x 0.40" (28.1mm x 41.9mm x 10.2mm)
Environmental		
Operating Temp. Range	-40°C to +85°C	-40°C to +85°C
Storage Temp. Range	-40°C to +85°C	-40°C to +85°C
Relative Humidity	0 to 95% Noncondensing	0 to 95% Noncondensing
Emissions EN61000-6-4	ISM, Group 1	ISM, Group 1
Radiated, Conducted	Class A	Class A
Immunity EN61000-6-2	ISM, Group 1	ISM, Group 1
RF	Performance A ±0.5% Span Error	Performance A ±0.5% Span Error
ESD, EFT	Performance B	Performance B

NOTES:

*Contact factory or your local Dataforth sales office for maximum values.

(1) 240VAC between +Input terminal and -Input, +EXC, or -EXC terminals.

120VAC between -Input and +EXC or -EXC terminals.

120VAC between +EXC and -EXC terminals.

(2) Includes linearity, hysteresis and repeatability.

Ordering Information

Model	Input Range	Output Range
8B40-01	-10mV to +10mV	-5V to +5V
8B40-02	-50mV to +50mV	-5V to +5V
8B40-03	-100mV to +100mV	-5V to +5V
8B40-04	-10mV to +10mV	0 to +5V
8B40-05	-50mV to +50mV	0 to +5V
8B40-06	-100mV to +100mV	0 to +5V
8B41-01	-1V to +1V	-5V to +5V
8B41-02	-5V to +5V	-5V to +5V
8B41-03	-10V to +10V	-5V to +5V
8B41-04	-1V to +1V	0V to +5V
8B41-05	-5V to +5V	0V to +5V
8B41-06	-10V to +10V	0V to +5V
8B41-07	-20V to +20V	-5V to +5V
8B41-08	-20V to +20V	0V to +5V
8B41-09	-40V to +40V	-5V to +5V
8B41-10	-40V to +40V	0V to +5V
8B41-12	-60V to +60V	-5V to +5V
8B41-13	-60V to +60V	0V to +5V

Installation Notes:

- 1.) This Equipment is Suitable for Use in Class I, Division 2, Groups A, B, C, D, or Non-Hazardous Locations Only.
- 2.) WARNING - Explosion Hazard - Substitution of Any Components May Impair Suitability for Class I, Division 2.
- 3.) WARNING - Explosion Hazard - Do Not Disconnect Equipment Unless Power Has Been Switched Off or The Area is Known to be Non-Hazardous.